



**FAIRBURNS
GROUP**

Total Electrical Solutions

**Victory - LED Vapor
Proof Range**

Victory 24 XL110 AC
Victory 24 XL110 DC

Victory 36 XL110 AC
Victory 36 XL110 DC

Victory 24.5 XL110 - LED Vapor Proof

The Victory 24.5 XL110 is an IP65 weatherproof and anti-corrosive luminaire ready for connection to a 230 volt 50Hz supply or a 110 volt 60Hz supply.



This LED light fitting has been manufactured from corrosion resistant glass reinforced polyester and contains a high impact diffuser, with captive retention clips.



This LED light is suitable for illuminating multi-storey car parks, railways stations, tunnels, food preparation areas, cold stores and any moist or dusty environment.

Specifications: Victory 24.5 XL110 - LED Vapor Proof

	AC
Product Code	VP5S-24-A001-C2 / FE
Power Consumption LED's	27.36 Watts
Power Consumption Driver	4.5 Watts
Total Power Consumption	31.86 Watts
Input Voltage	90 – 264Vac
Input Frequency	47 – 63Hz
Light Source	1.14 W High Power LED
LED QTY	24
Total LED Output	2640 lm
Efficiency (Typ.)	85%
LED Colour	Cool White
Colour Temp (K)	5400 - 6300 degrees K (Standard)
CRI	Ra>70
LED Lifespan	50,000 > 80,000 Hours
Operating Temperature	-30 degrees C to + 50 degrees C
Working Humidity	0 ~ 95%
Turn on time	100ns
Product Size (mm)	1576 x 100 x 116
Net Weight	3 Kg
Protection Rate	IP65
Certification	RoHS, CE
Warranty	3 Years

**FAIRBURNS GROUP
LIMITED**

73 – 79 Clarence Street
Hull
HU9 1DH

Tel: +44 (0) 1482 323 352
Fax: +44 (0) 1482 229 873





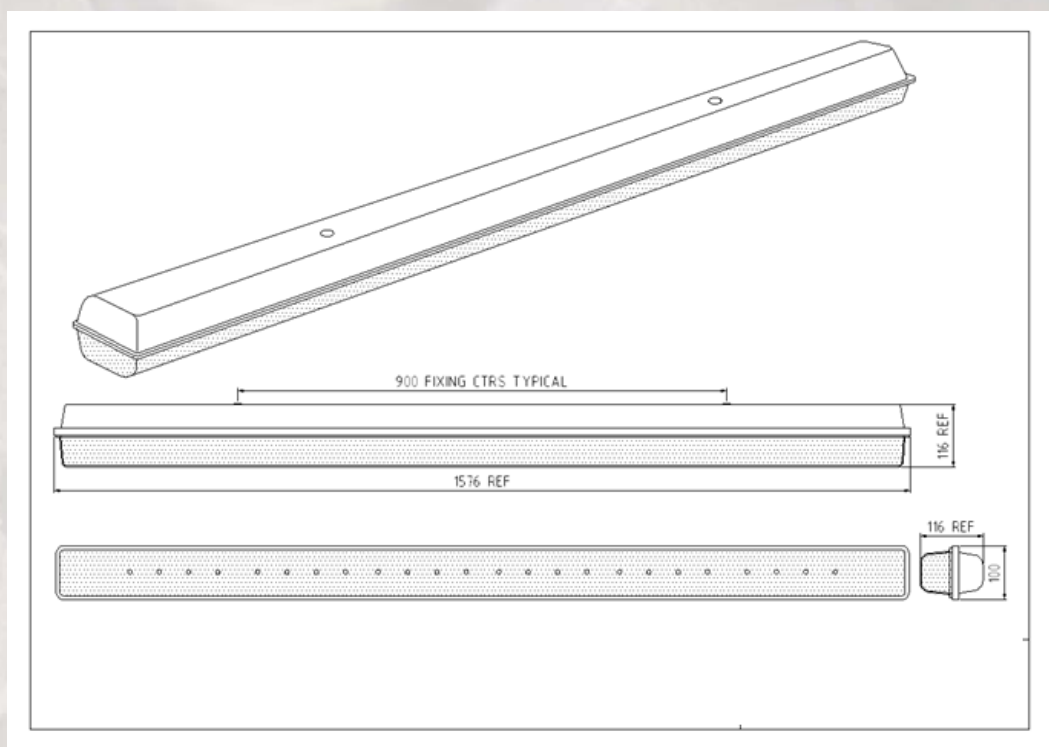
**FAIRBURNS
GROUP**

Total Electrical Solutions

**Victory - LED Vapor
Proof Range**

Victory 24 XL110 AC
Victory 24 XL110 DC

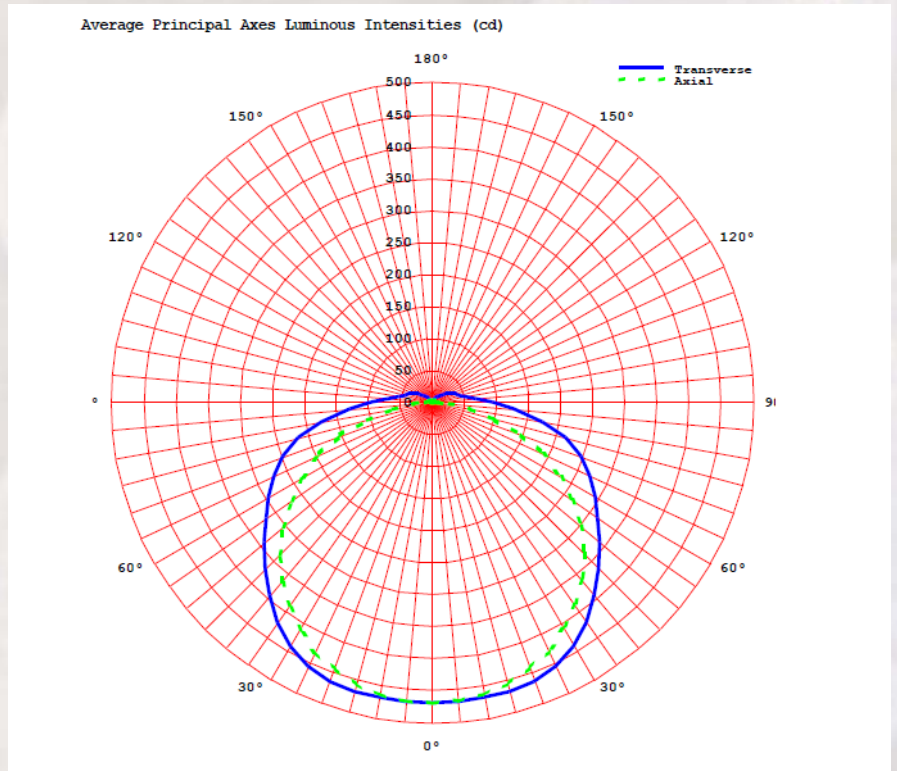
Victory 36 XL110 AC
Victory 36 XL110 DC



Above: CAD diagram for Victory 24.5 XL110 – LED Vapor Proof

**FAIRBURNS GROUP
LIMITED**
73 – 79 Clarence Street
Hull
HU9 1DH

Tel: +44 (0) 1482 323 352
Fax: +44 (0) 1482 229 873



Above: Average Principal Axes Luminous Intensities (cd)