



FAIRBURNS GROUP

Total Electrical Solutions

Spitfire - LED Flood Light Range

Spitfire 12 XL110 AC
Spitfire 12 XL110 DC

Spitfire 24 XL110 AC
Spitfire 24 XL110 DC

Spitfire 48 XL110 AC
Spitfire 48 XL110 DC

Spitfire 72 XL110 AC
Spitfire 72 XL110 DC

Spitfire 24 XL110 - LED Flood Light

The **Spitfire 24 XL110** LED lighting solution is a environmentally friendly, energy saving replacement for a traditional sodium, mercury and halogen style flood light.

This LED flood light is ready for connection to either AC mains power supply or our Mercury solar power management units, which provides a flexible lighting solution where mains power is not available or desired.



These LED flood lights can be used singularly or in groups to provide lighting for applications ranging from recreation area lighting to warehouse lighting, sign lighting, building lighting, car park lighting and perimeter fence lighting.

Note: All LEDs are encased in a compound that will give them protection from any ingress of liquids or solids and all other electronic components are enclosed in an IP66 rated assembly.

Specifications: Spitfire 24 XL110 - LED Flood Light

	AC	DC
Product Code	SP24-A014-A1 / FE	SP24-D014-A1 / FE
Power Consumption LED's	27.36 Watts	
Power Consumption Driver	4.5 Watts	N/A
Total Power Consumption	31.86 Watts	27.36 Watts
Input Voltage	90 – 264Vac	12 VDC
Input Frequency	47 – 63Hz	N/A
Light Source	1.14 W High Power LED	
LED QTY	24	
Total LED Output	2640 lm	
Efficiency (Typ.)	85%	
LED Colour	Cool White	
Colour Temp (K)	5400 - 6300 degrees K (Standard)	
CRI	Ra>70	
LED Lifespan	50,000 > 80,000 Hours	
Operating Temperature	-30 degrees C to + 50 degrees C	
Working Humidity	0 ~ 95%	
Turn on time	100ns	
Product Size (mm)	213mm (W) x 130mm (D) x 227mm (H)	
Unit colour	Black	
Net Weight	3.2 Kg	
Mounting	Wall Mounting Bracket (Standard)	
Protection Rate	IP66 (Light Engine & Power Supply)	
Certification	RoHS, CE	
Warranty	3 Years	

FAIRBURNS GROUP LIMITED

73 – 79 Clarence Street
Hull
HU9 1DH

Tel: +44 (0) 1482 323 352

Fax: +44 (0) 1482 229 873





**FAIRBURNS
GROUP**

Total Electrical Solutions

**Spitfire - LED Flood
Light Range**

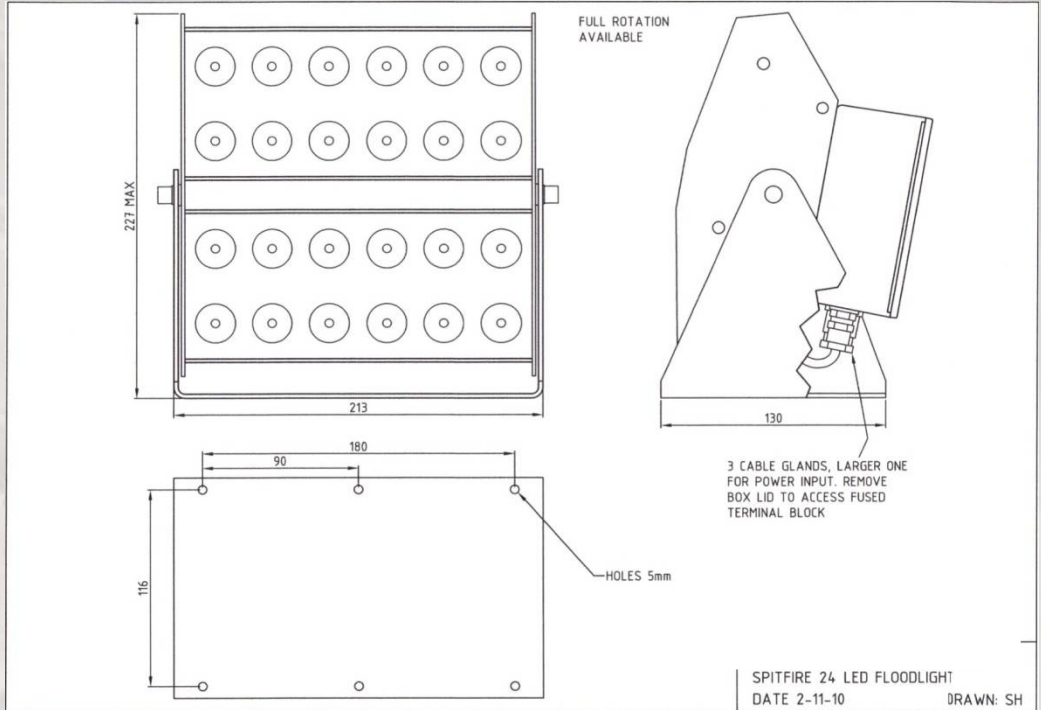
*Spitfire 12 XL110 AC
Spitfire 12 XL110 DC*

*Spitfire 24 XL110 AC
Spitfire 24 XL110 DC*

*Spitfire 48 XL110 AC
Spitfire 48 XL110 DC*

*Spitfire 72 XL110 AC
Spitfire 72 XL110 DC*

Spitfire 24 XL110 - LED Flood Light



Above: CAD diagram for Spitfire 24 XL110 – LED Flood Light

**FAIRBURNS GROUP
LIMITED**

73 – 79 Clarence Street
Hull
HU9 1DH

Tel: +44 (0) 1482 323 352
Fax: +44 (0) 1482 229 873

